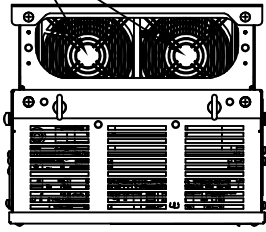
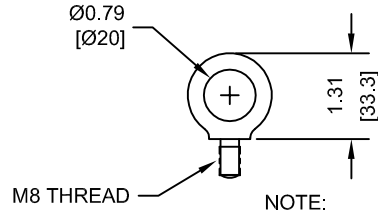


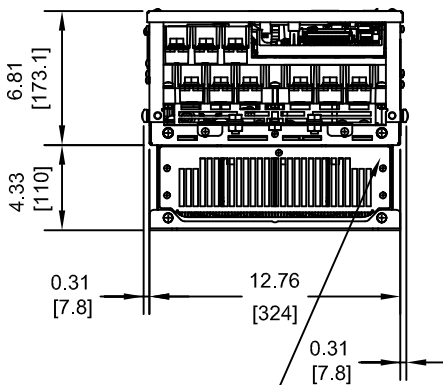
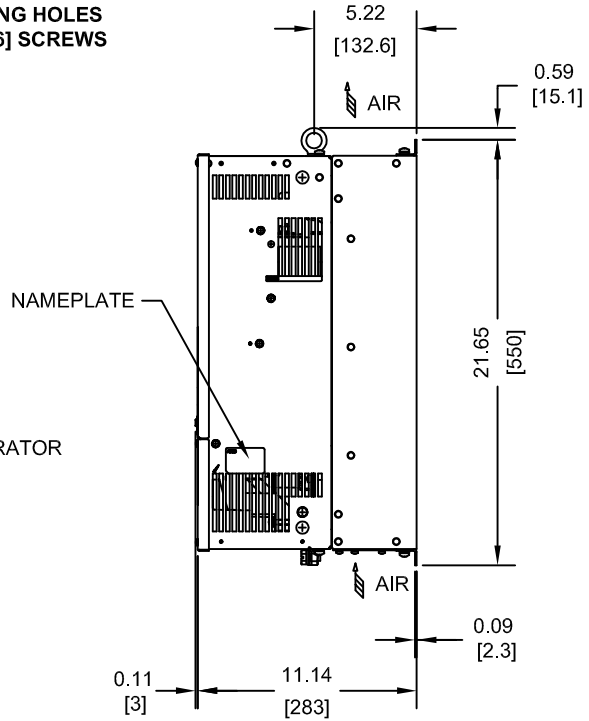
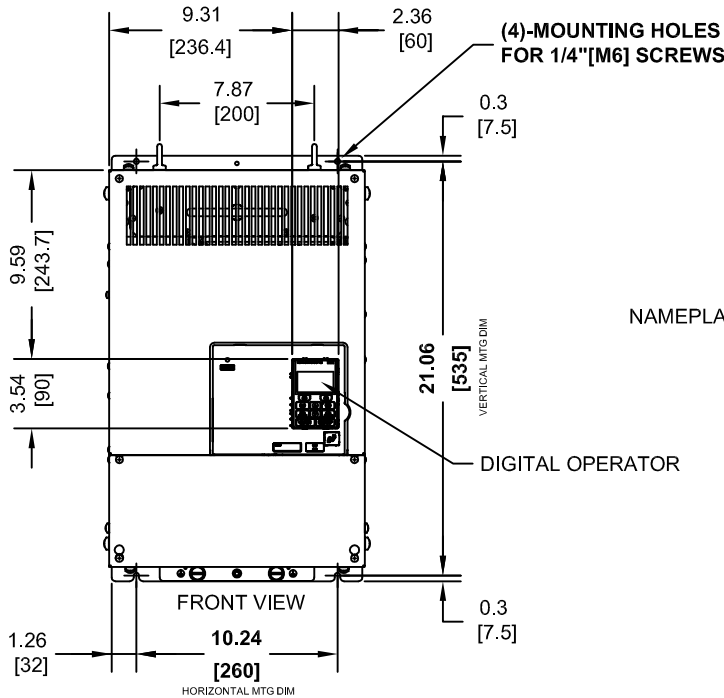
(2) EXTERNAL COOLING FANS



LIFTING AND EYEBOLT DETAILS



NOTE:
SPREADER BAR REQUIRED TO AVOID DAMAGE DURING LIFTING



MODEL # CIMR-AU	INPUT TYPE	VOLTAGE 3-PHASE (VAC)	OUTPUT CURRENT (A)		WEIGHT LBS (Kg)	HEAT LOSS (W)					
			ND	HD		ND (Fc=2kHz)			HD (Fc=SEE NOTES)		
						INT	EXT	TOT	INT	EXT	TOT
2A0169AXX	6 PULSE	200/240	169	145	81.4 (37)	380	1014	1394	306	816	1122
2A0211AXX	6 PULSE		211	180	83.6 (38)	473	1218	1691	378	976	1354
4A0139AXX	6 PULSE	380/480	139	112	90.2 (41)	534	1215	1749	416	908	1324
4A0165AXX	6 PULSE		165	150	92.4 (42)	668	1557	2225	580	1340	1920
4T0139AXX	12 PULSE		139	112	83.0 (38)	487	1179	1666	447	1100	1547
4T0165AXX	12 PULSE		165	150	85.5 (39)	624	1520	2144	629	1647	2276
5A0062AXX	6 PULSE	500/600	62	52	90.2 (41)	279	791	1070	335	1272	1607
5A0077AXX	6 PULSE		77	62	90.2 (41)	329	959	1288	379	1457	1836
5A0099AXX	6 PULSE		99	77	90.2 (41)	412	1253	1665	352	1267	1619

NOTES:
XX DENOTES AA-ZZ

INT=INTERNAL COMPONENTS
EXT=EXTERNAL HEATSINK
TOT=TOTAL

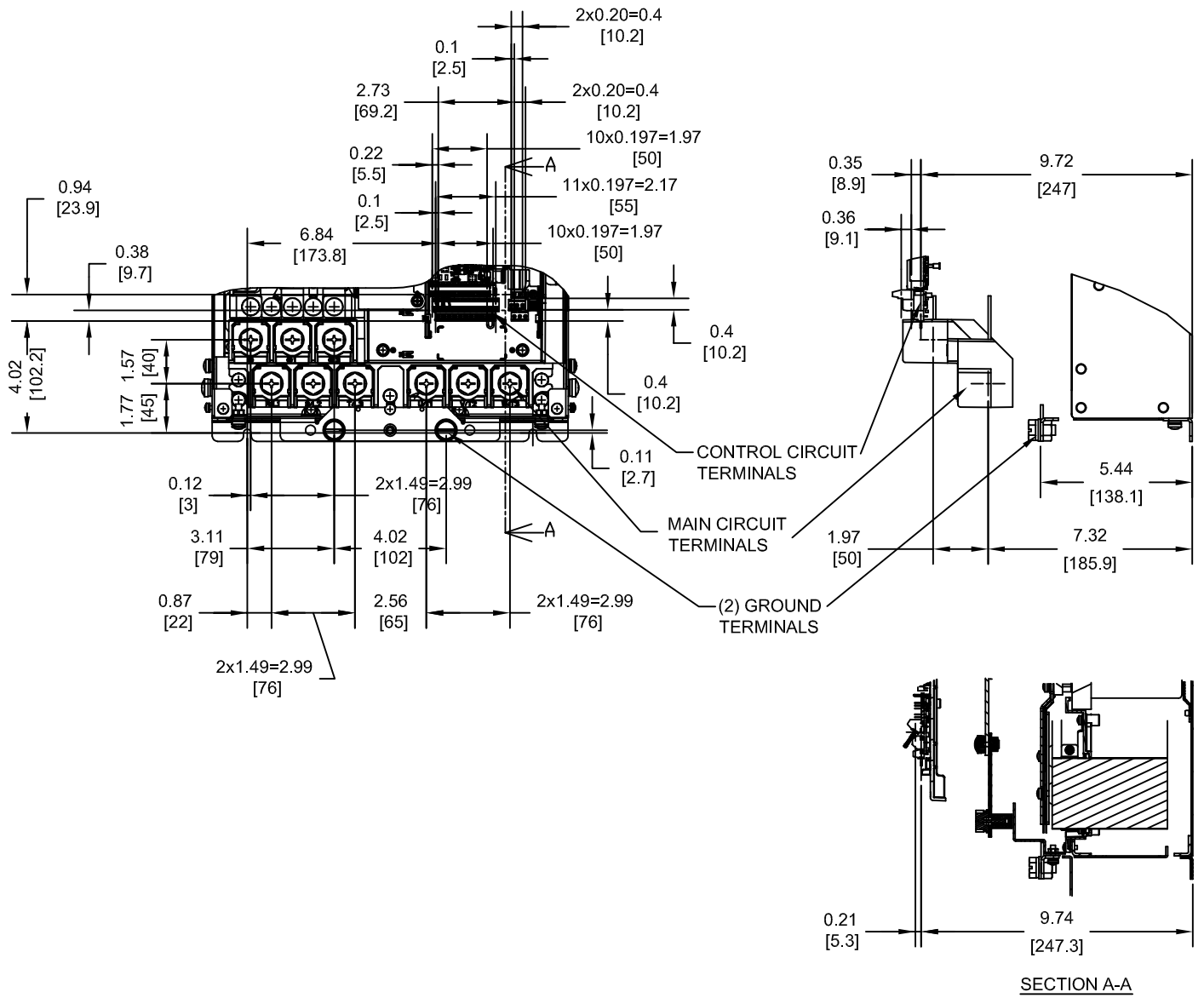
FOR HD VALUES, CARRIER FREQ. IS SET TO:
Fc=8kHz FOR MODELS 2A0169, 4A0139, 4T0139, 5A0062 AND 5A0077
Fc=5kHz FOR MODELS 2A0211, 4A0165, 4T0165, AND 5A0099

WHEN USING AN EXTERNAL MOUNT HEATSINK, UL COMPLIANCE REQUIRES COVERING EXPOSED CAPACITORS IN THE MAIN CIRCUIT TO PREVENT INJURY. CONSULT MANUAL FOR DETAILS.

FOR ADDITIONAL DETAILS AND SPECIFICATIONS, CONSULT MANUAL

TOLERANCES / REFERENCES:			DRAWN: J. MATTAS	DATE 10-27-10	TITLE: A1000 DIMENSION DRAWING FRAME SIZE 10 IP00 ENCLOSURE 2A0169A-0211A, 4A0139A-0165A, 4T0139A-0165A, 5A0062A-0099A
UNITS: IN [mm]			SCALE: 1:10	CHECKED: J. PIOTROWSKI	
THIS DOCUMENT AND INFORMATION CONTAINED IN IT ARE CONFIDENTIAL, AND CANNOT BE COPIED OR DISCLOSED IN WHOLE OR IN PART WITHOUT THE EXPRESS WRITTEN CONSENT OF YASKAWA AMERICA, INC.		TECH: J. CAIRO	DATE 12-19-10	SIZE A	REVISION R01
		APPROVED: T. SASADA	DATE 12-21-10	PAGE 1 of 4	DRAWING #: DD.A1K.FR10.IP00

TERMINAL AND WIRING DETAILS (SCALE 1:6)
FOR 6-PULSE INPUT DRIVES



TERMINAL AND WIRE SPECIFICATIONS FOR
MAIN CIRCUIT AND GROUND

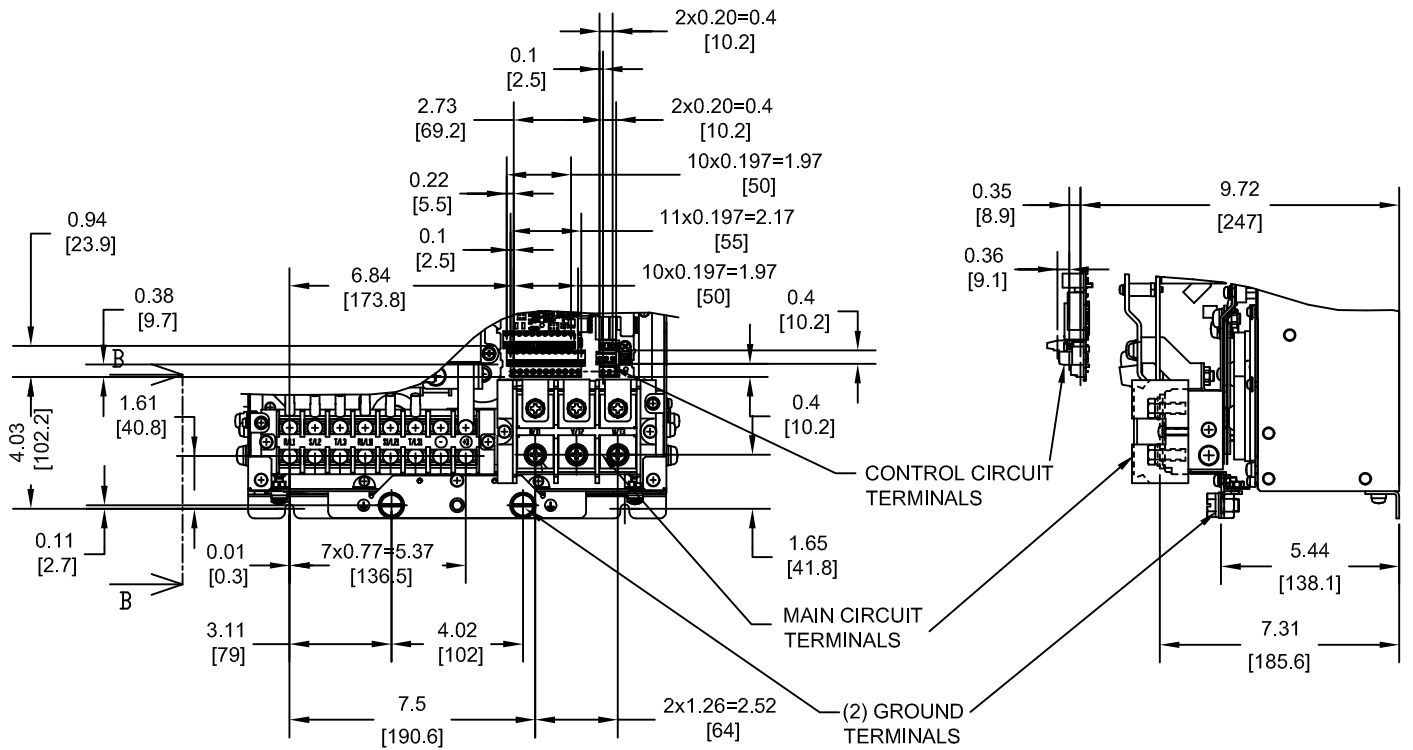
MODEL # CIMR-AU	TERMINAL SYMBOL	TERMINAL SCREW	CLAMPING TORQUE lb.in.(N.m.)	WIRE RANGE AWG(mm ²)
2A0169A	R/L1, S/L2, T/L3	M10	159.3 TO 203.6 (18 TO 23)	10-4/0 (5.3-107.2)
2A0211A	U/T1, V/T2, W/T3			
4A0139A	⊖, ⊕1, ⊕3			
4A0165A	⊕	M10	159.3 TO 203.6 (18 TO 23)	SEE NOTE
5A0062A	⊕			
5A0077A	⊕			
5A0099A	⊕			

NOTE: REFER TO APPLICABLE CODES FOR PROPER WIRE TYPE AND SIZE

FOR ADDITIONAL DETAILS AND SPECIFICATIONS, CONSULT MANUAL

TOLERANCES / REFERENCES:			DRAWN: J. MATTAS	DATE 10-27-10	TITLE: A1000 DIMENSION DRAWING	
UNITS: IN [mm]			SCALE: BY VIEW	CHECKED: J. PIOTROWSKI	DATE 12-14-10	FRAME SIZE 10 IP00 ENCLOSURE
THIS DOCUMENT AND INFORMATION CONTAINED IN IT ARE CONFIDENTIAL, AND CANNOT BE COPIED OR DISCLOSED IN WHOLE OR IN PART WITHOUT THE EXPRESS WRITTEN CONSENT OF YASKAWA AMERICA, INC.			TECH: J. CAIRO	DATE 12-19-10	2A0169A-0211A, 4A0139A-0165A, 4T0139A-0165A, 5A0062A-0099A	
			APPROVED: T. SASADA	DATE 12-21-10	SIZE A	REVISION R01
			ORIGINAL DESIGN: -	DATE -	PAGE 2 of 4	
					DRAWING # DD.A1K.FR10.IP00	

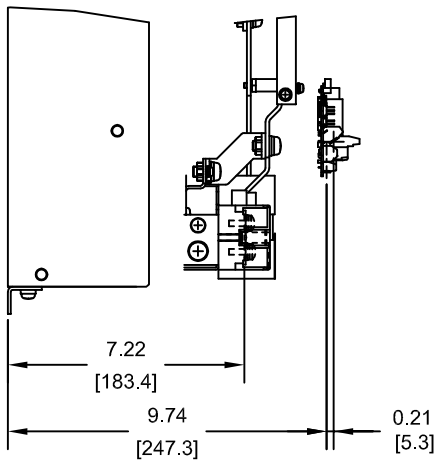
TERMINAL AND WIRING DETAILS (SCALE 1:6)
FOR 12-PULSE INPUT DRIVES



TERMINAL AND WIRE SPECIFICATIONS FOR
MAIN CIRCUIT AND GROUND

MODEL # CIMR-AU	TERMINAL SYMBOL	TERMINAL SCREW	CLAMPING TORQUE lb.in.(N.m.)	WIRE RANGE AWG(řm)
4T0139A 4T0165A	R/L1, S/L2, T/L3	M6	22.1 TO 26.6 (2.5 TO 3.0)	22-1/0 (0.3-53.5)
	R1/L11, S1/L21, T1/L31			
	⊕, ⊕3	M8	132.8 (15.0)	6-250kcmil (13.3-127)
	U/T1, V/T2, W/T3			
	⊕	M10	159.3 TO 203.6 (18 TO 23)	SEE NOTE

NOTE: REFER TO APPLICABLE CODES FOR PROPER WIRE TYPE AND SIZE

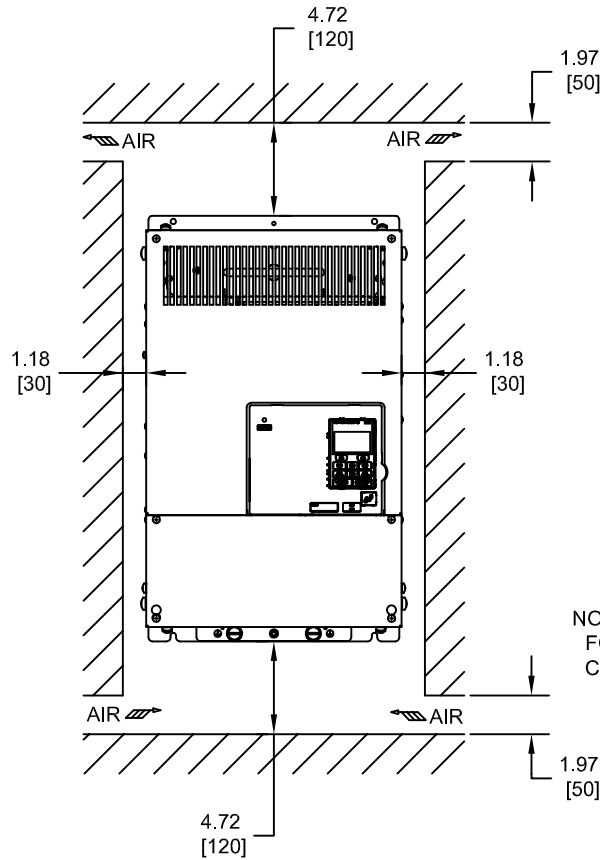


SECTION B-B

FOR ADDITIONAL DETAILS AND SPECIFICATIONS, CONSULT MANUAL

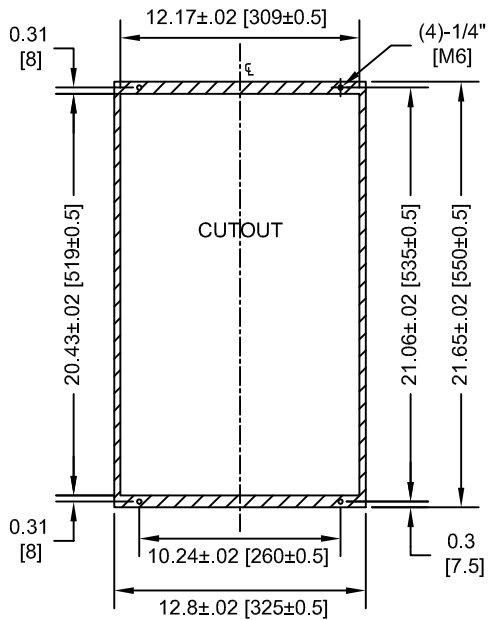
TOLERANCES / REFERENCES:			DRAWN: J. MATTAS CHECKED: J. PIOTROWSKI TECH: J. CAIRO APPROVED: T. SASADA ORIGINAL DESIGN: -	DATE 10-27-10 DATE 12-14-10 DATE 12-19-10 DATE 12-21-10 DATE -	TITLE: A1000 DIMENSION DRAWING FRAME SIZE 10 IP00 ENCLOSURE 2A0169A-0211A, 4A0139A-0165A, 4T0139A-0165A, 5A0062A-0099A SIZE A REVISION R01 PAGE 3 of 4 DRAWING # DD.A1K.FR10.IP00
UNITS: IN [mm]	SCALE: BY VIEW		THIS DOCUMENT AND INFORMATION CONTAINED IN IT ARE CONFIDENTIAL, AND CANNOT BE COPIED OR DISCLOSED IN WHOLE OR IN PART WITHOUT THE EXPRESS WRITTEN CONSENT OF YASKAWA AMERICA, INC.		

MINIMUM INSTALLATION CLEARANCES (SCALE 1:10)



NOTE:
FOR SIDE-BY-SIDE MOUNTING
CONSULT MANUAL

PANEL CUTOUT FOR EXTERNAL HEATSINK
MOUNTING CONFIGURATION (SCALE 1:10)



NOTE:
EXPOSED HEATSINK DEPTH
D=4.33" MINUS PANEL THICKNESS

FOR ADDITIONAL DETAILS AND SPECIFICATIONS, CONSULT MANUAL

TOLERANCES / REFERENCES:			DRAWN: J. MATTAS	DATE: 10-27-10	TITLE: A1000 DIMENSION DRAWING	
UNITS: IN [mm]	SCALE: BY VIEW		CHECKED: J. PIOTROWSKI	DATE: 12-14-10	FRAME SIZE 10 IP00 ENCLOSURE	
THIS DOCUMENT AND INFORMATION CONTAINED IN IT ARE CONFIDENTIAL, AND CANNOT BE COPIED OR DISCLOSED IN WHOLE OR IN PART WITHOUT THE EXPRESS WRITTEN CONSENT OF YASKAWA AMERICA, INC.		TECH: J. CAIRO	DATE: 12-19-10	SIZE: A	REVISION: R01	PAGE: 4 of 4
		APPROVED: T. SASADA	DATE: 12-21-10	DRAWING #: DD.A1K.FR10.IP00		
		ORIGINAL DESIGN: -	DATE: -			